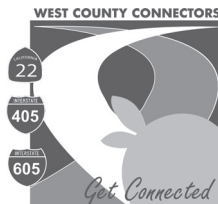


MAKE THE



CONNECTION!



MEET THE West County Connectors Team!



SUPERVISOR CAL

He is the fearless leader of the group.
He plans his work and works his plan!

KON-EKTOR

The ever-loyal, two-ton robot!
He can transform into several
utility vehicles, so he is the
ultimate workhorse!



LOGISTICAL LOIS

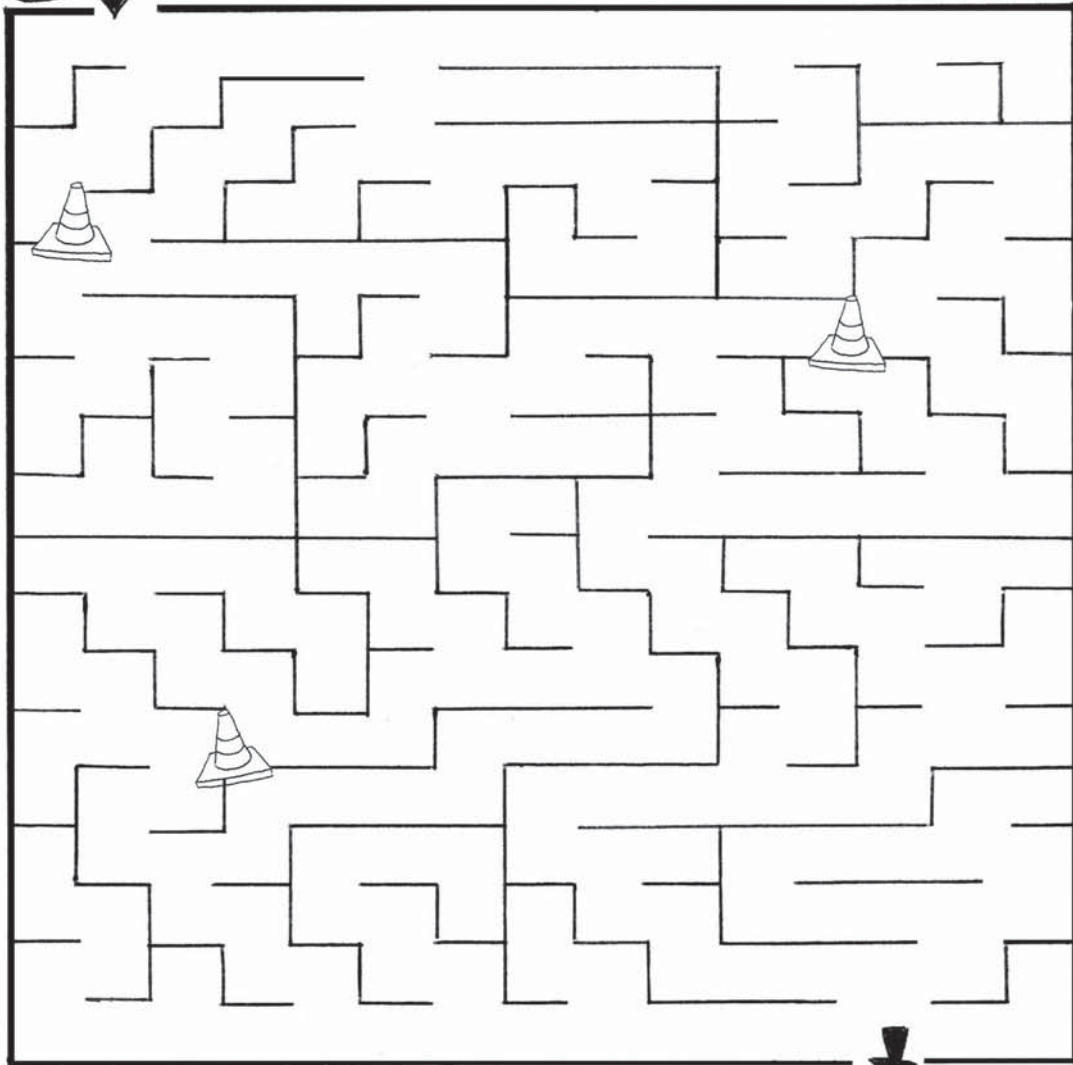
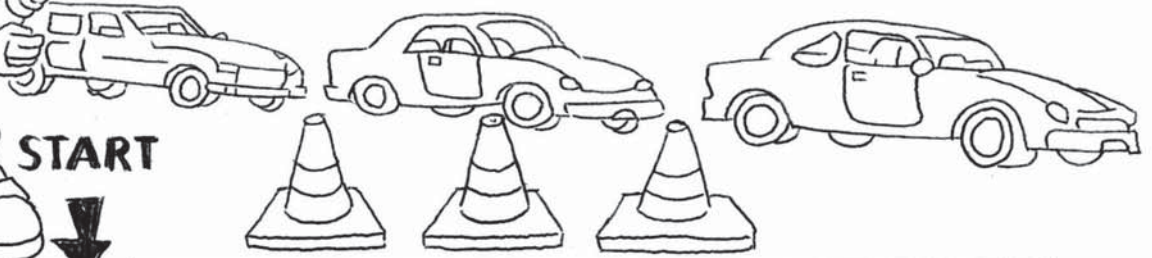
She is the "Queen of Information
and Technology"! Lois helps plan all
projects and keeps things
running smoothly!

Help SUPERVISOR CAL direct the cars safely through the detour route!

Solve the maze and help the cars safely navigate through all the blocked roads!



START

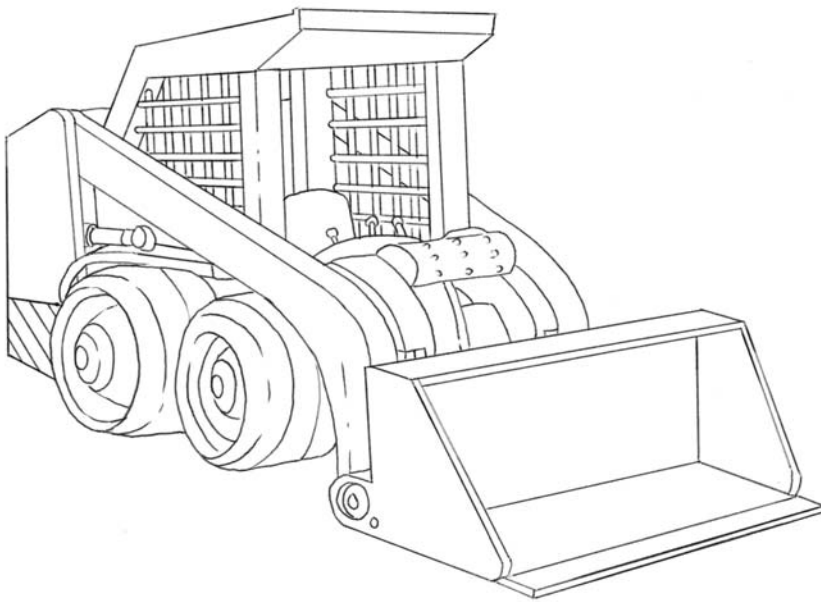


FINISH



KON-EKTOR can transform into different types of utility vehicles you may see on the road during construction.

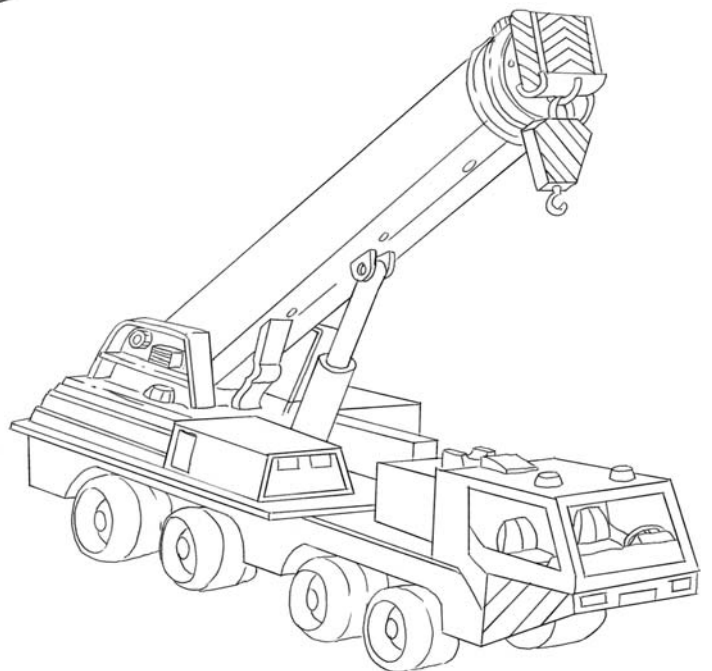
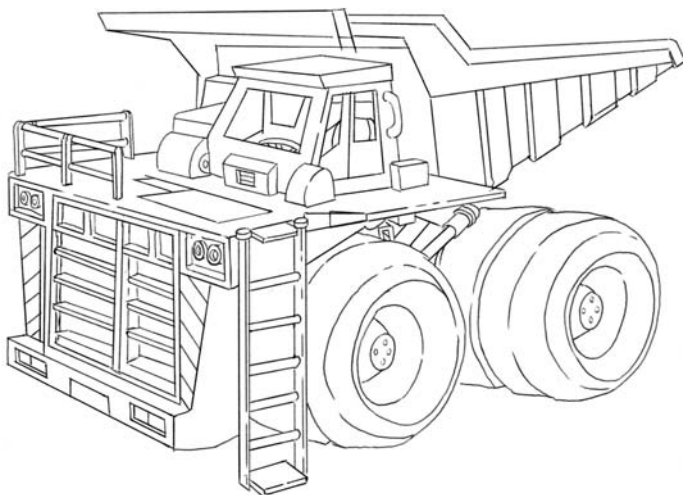
Can you unscramble the letters to unlock the types of vehicles you need to watch out for?



llozerdbu

anecr

mpdu cutrk

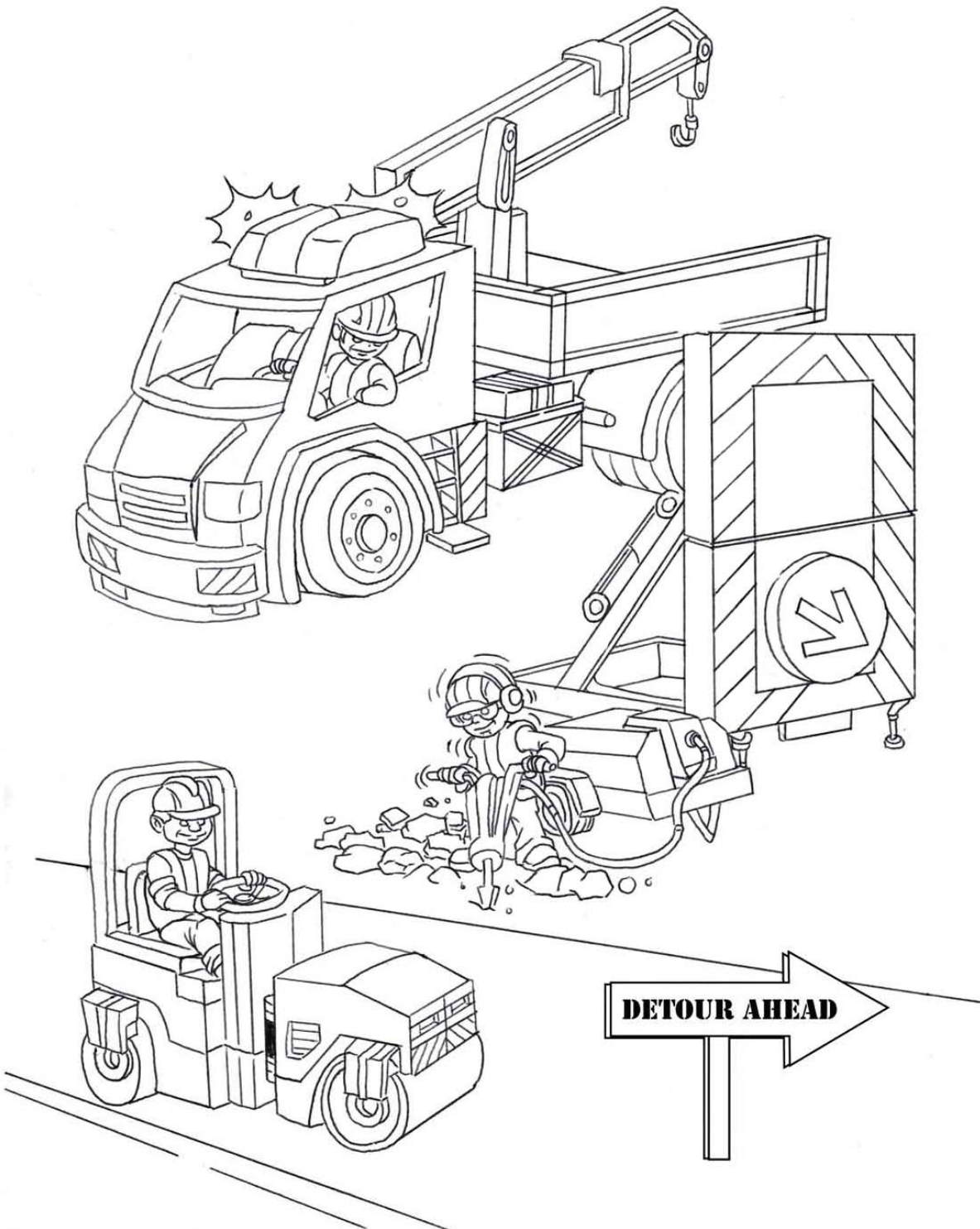


ANSWERS: bulldozer, crane, dump truck

Construction zones are very dangerous. Remember to always stay safe when you're around them.

Here are a few simple rules to help you stay safe:

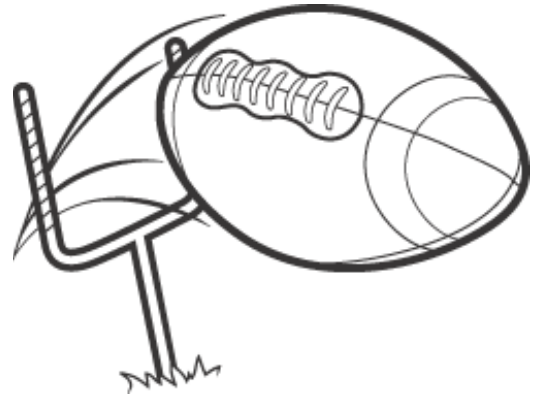
1. Never hang out or play in a construction zone!
2. Tell an adult if you see any holes in a construction zone fence.
3. When passing by, always slow for the cone zone!



Fun Project Facts

Did you know...

... the temporary K-rail that will be used during construction of this project can span 727 football fields!



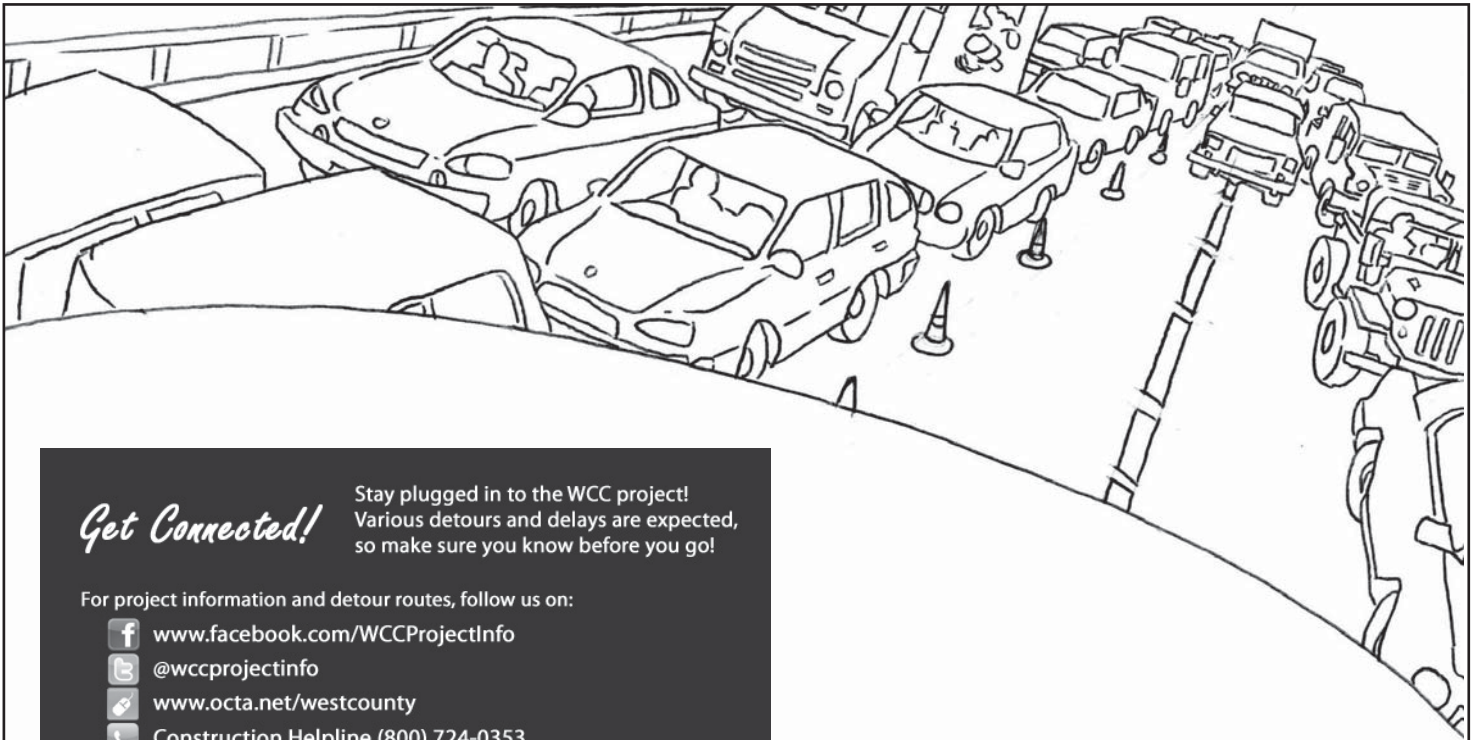
... over two miles of drainage pipe will be installed along the project corridor!



... more than eight miles of concrete barrier will be constructed throughout this project? That's over 33 Empire State Buildings stacked on top of each other!







... the quantity of rebar (reinforcing steel) on this project (in bridges, retaining walls, soundwalls, box culvert and channel combined) weighs more than 25 Statues of Liberty!



Get Connected!

Stay plugged in to the WCC project!
Various detours and delays are expected,
so make sure you know before you go!

For project information and detour routes, follow us on:

-  www.facebook.com/WCCProjectInfo
-  [@wccprojectinfo](https://twitter.com/wccprojectinfo)
-  www.octa.net/westcounty
-  Construction Helpline (800) 724-0353

For more information, contact Christina Byrne at
cbyrne@octa.net or (714) 560-5717

LOGISTICAL LOIS helps plan all projects and keeps us informed on all scheduled construction. For more information on the West County Connectors project, visit us online, with your parent's permission!



Remember,
Stay **SAFE** and
Stay **INFORMED!**

